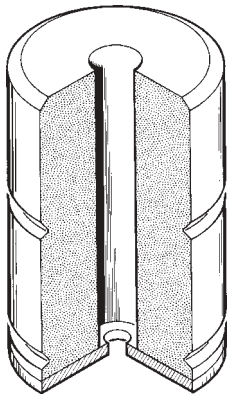


Buffers of AUTAN® as per EN 81 and TRA

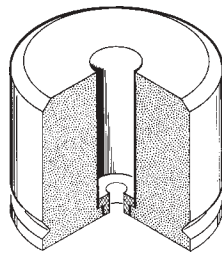
Type A

With round steel plate and central bore. The buffer is fixed by a bolt.



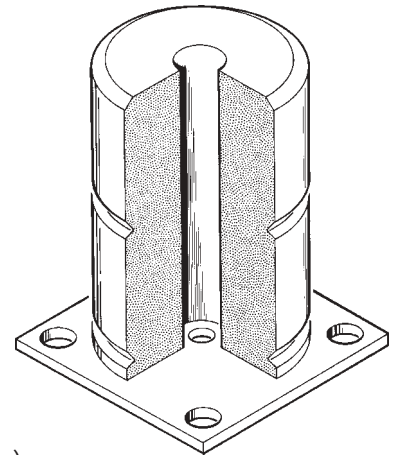
Type B

Without steel plate, but with central plastic bush (PA). This execution requires a flat counter part without openings and flanges. There must be a corresponding free space at the counterpressure surface for the central fixation.



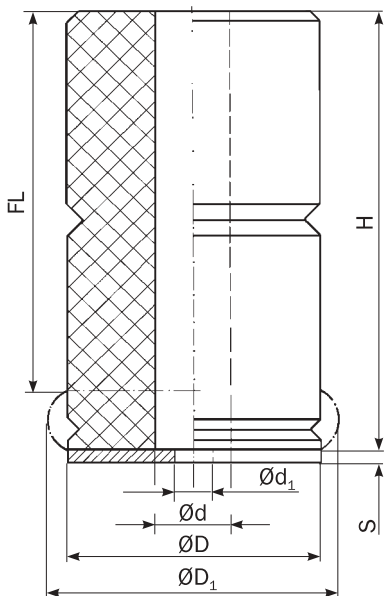
Type C

With square steel plate and four fixing holes or one central bore. Fixing is possible by means of four or one bolt.

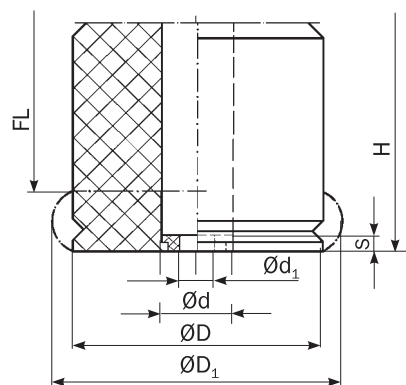
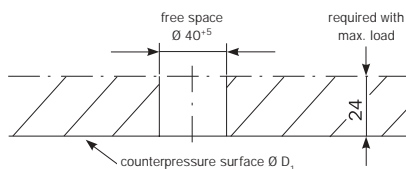


Nominal article sizes (diagrammatic sketches)

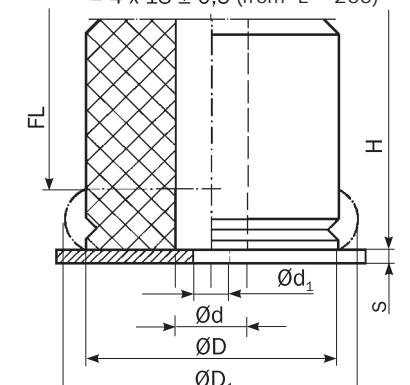
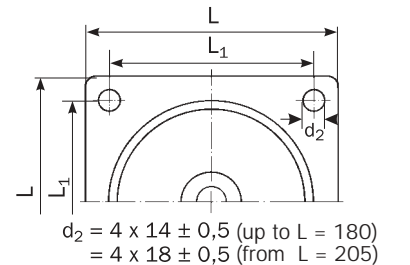
Type A



Type B



Type C



Ø x H	art. no. *)	type	material	D ± 1,5	D ₁ <	d ± 1	d ₁ ± 1,5	H ± 2,5	FL**) 76%	S ± 0,5	L ± 2	L ₁ ± 1
80 x 80	300 400	A	AUTAN 5	80	100	35	17	80	61	6		
80 x 80	300 410	B	AUTAN 5	80	100	35	17	80	61	15		
80 x 80	300 458	C	AUTAN 5	80	100	35	18	80	61	6	100	80
80 x 120	300 335	A	AUTAN 5	80	120	35	17	120	91	6		
		B	AUTAN 5									
		C	AUTAN 5									
100 x 80	300 401	A	AUTAN 5	100	110	35	17	80	61	6		
100 x 80	300 411	B	AUTAN 5	100	110	35	17	80	61	15		
100 x 80	300 421	C	AUTAN 5	100	110	35	18	80	61	6	130	100
100 x 160	300 405	A	AUTAN 5	100	140	35	17	160	121,5	6		
100 x 160	300 415	B	AUTAN 5	100	140	35	17	160	121,5	15		
100 x 160	300 425	C	AUTAN 5	100	140	35	18	160	121,5	6	130	100
125 x 80	300 402	A	AUTAN 5	125	150	35	17	80	61	6		
125 x 80	300 412	B	AUTAN 5	125	150	35	17	80	61	15		
125 x 80	300 422	C	AUTAN 5	125	150	35	18	80	61	6	155	125
125 x 100	300 178	A	AUTAN 5	125	165	35	17	100	76	6		
125 x 100	300 179	B	AUTAN 5	125	165	35	17	100	76	15		
125 x 100	300 117	C	AUTAN 5	125	165	35	18	100	76	6	155	125
125 x 100	300 116	A	AUTAN 4	125	165	35	17	100	76	6		
125 x 100	300 376	B	AUTAN 4	125	165	35	17	100	76	15		
125 x 100	300 439	C	AUTAN 4	125	165	35	17	100	76	6	155	125
125 x 100	300 450	A	AUTAN 35	125	165	35	17	100	76	6		
		B	AUTAN 35									
		C	AUTAN 35									
125 x 160	300 406	A	AUTAN 5	125	175	35	17	160	121,5	6		
125 x 160	300 416	B	AUTAN 5	125	175	35	17	160	121,5	15		
125 x 160	300 426	C	AUTAN 5	125	175	35	18	160	121,5	6	155	125
		A	AUTAN 35									
		B	AUTAN 35									
125 x 200	300 438	C	AUTAN 35	125	165	35	18	200	152	6	155	125
125 x 200	300 170	A	AUTAN 45	125	165	35	17	200	152	6		
125 x 200	300 180	B	AUTAN 45	125	165	35	17	200	152	15		
		C	AUTAN 45									
125 x 200	300 171	A	AUTAN 5	125	165	35	17	200	152	6		
125 x 200	300 181	B	AUTAN 5	125	165	35	17	200	152	15		
125 x 200	300 143	C	AUTAN 5	125	165	35	18	200	152	6	155	125
		A	AUTAN 5									
140 x 80	300 465	B	AUTAN 5	140	190	35	17	80	61	15		
		C	AUTAN 5									
140 x 100	300 183	A	AUTAN 5	140	195	35	17	100	76	6		
140 x 100	300 184	B	AUTAN 5	140	195	35	17	100	76	15		
140 x 100	300 148	C	AUTAN 5	140	195	35	18	100	76	6	180	140
140 x 200	300 172	A	AUTAN 5	140	195	35	17	200	152	6		
140 x 200	300 182	B	AUTAN 5	140	195	35	17	200	152	15		
140 x 200	300 144	C	AUTAN 5	140	195	35	18	200	152	6	180	140
140 x 250	300 385	A	AUTAN 5	140	215	35	17	250	190	6		
140 x 250	300 330	B	AUTAN 5	140	215	35	17	250	190	15		
140 x 250	300 429	C	AUTAN 5	140	215	35	18	250	190	6	180	140
165 x 80	300 403	A	AUTAN 5	165	190	35	17	80	61	6		
165 x 80	300 413	B	AUTAN 5	165	190	35	17	80	61	15		
165 x 80	300 423	C	AUTAN 5	165	190	35	18	80	61	6	205	165
165 x 160	300 407	A	AUTAN 5	165	205	35	17	160	121,6	6		
165 x 160	300 417	B	AUTAN 5	165	205	35	17	160	121,6	15		
165 x 160	300 427	C	AUTAN 5	165	205	35	18	160	121,6	6	205	165
165 x 200	300 375	A	AUTAN 5	165	230	35	17	200	152	6		
		B	AUTAN 5									
165 x 200	300 147	C	AUTAN 5	165	230	35	18	200	152	6	205	165
220 x 80	300 404	A	AUTAN 5	220	260	35	17	80	61	6		
220 x 80	300 414	B	AUTAN 5	220	260	35	17	80	61	15		
220 x 80	300 424	C	AUTAN 5	220	260	35	18	80	61	6	260	220
220 x 160	300 408	A	AUTAN 5	220	310	35	17	160	121,6	6		
220 x 160	300 418	B	AUTAN 5	220	310	35	17	160	121,6	15		
220 x 160	300 428	C	AUTAN 5	220	310	35	18	160	121,6	6	260	220

*) Article nos. refer to buffers as per EN 81. Buffers as per TRA get the additional designation ".01".

***) Recommended use up to 76 %. Max. 80 % admissible. If exceeded buffer has to be exchanged. Furthermore we recommend to check our lift buffers after 5 years at the very latest concerning influence of temperature, chemical or biological attacks.

Dimensions in mm.
We reserve the right to change sizes.
Further dimensions and special types on request.

Our verbal or written recommendations for any application as well as tests are carried out to the best of our knowledge. They are without engagement also as far as patent rights of third parties are concerned, and do not exempt you from checking the products sup-

plied by us to their suitability for the intended procedure and purpose.

Application, use and processing of the products are outside our control, and are exclusively the responsibility of the customer. Moreover our general sales conditions apply.

ACLA-WERKE GMBH
Frankfurter Straße 142 - 190
D - 51065 Köln

Telefon (02 21) 6 99 98 - 0
Telefax (02 21) 69 71 21